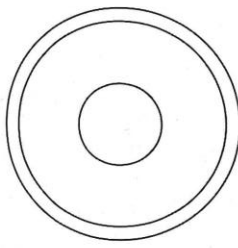
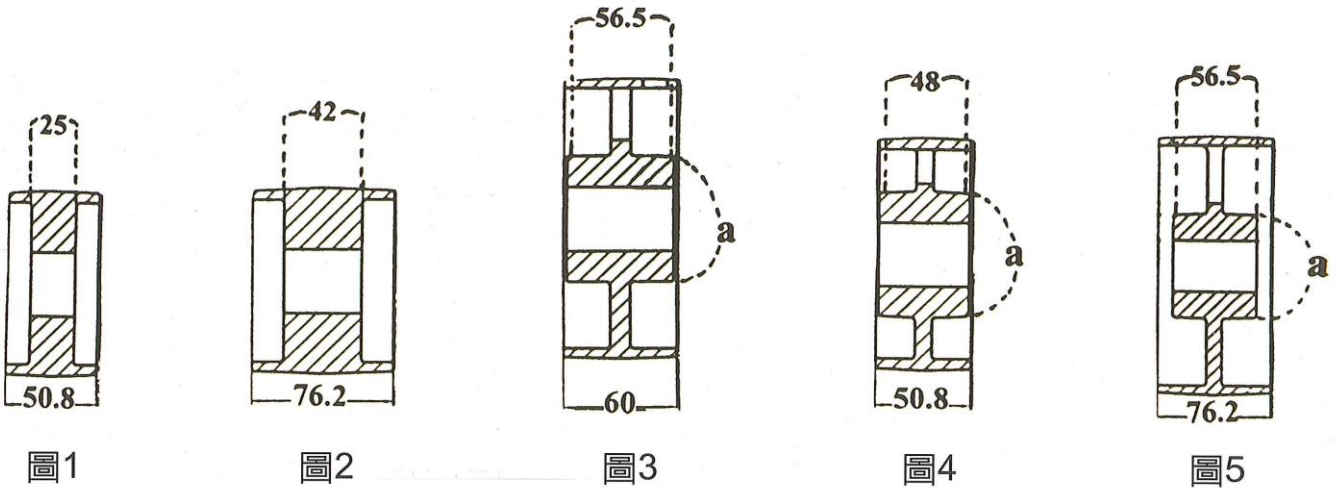
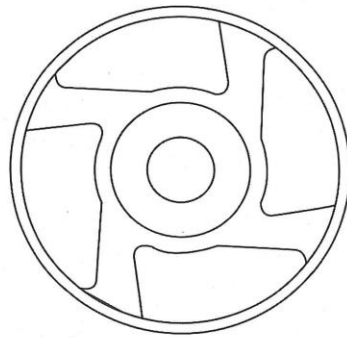




Flat belt pulley 平面皮帶輪



圖A



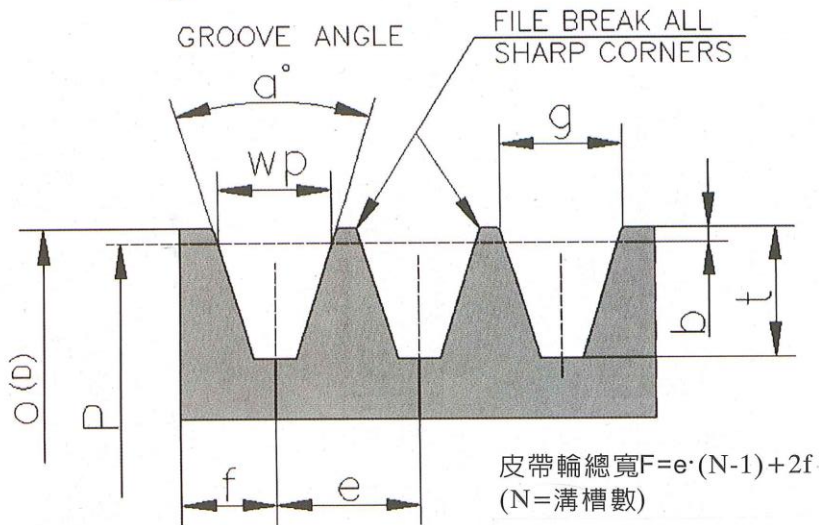
圖B



Flat Belt Pulley 平面皮帶輪							
規格	圖 號				尺寸 (mm)		
幅寬 直徑	2" 50.8 mm		3" 76.2 mm		60 mm	中心 孔徑	輪轂直徑 (仔--a)
4"	1	A	2	A		35	
5"	4	B	5	B		35	69
6"	4	B	5	B	3	B	69
7"	4	B	5	B		35	72
8"	4	B	5	B		35	76
9"	4	B	5	B		35	80
10"	4	B	5	B		35	84



The Standard of Pulley 皮帶輪標準規範



(mm)

直孔皮帶輪	g	t	e	f	D	a°
A	12.12±0.18	11	15±0.2	10	≤90	34° ± 0.5°
		12.5			90-125	36° ± 0.5°
B	16.07±0.21	13.5	19±0.2	12.5	≤101.6	34° ± 0.5°
		15			101.6-160	36° ± 0.5°
					≥200	38° ± 0.5°
C	21.45±0.27	19	25.5±0.2	17	≤250	34° ± 0.5°
					≥315	38° ± 0.5°

(Inch)

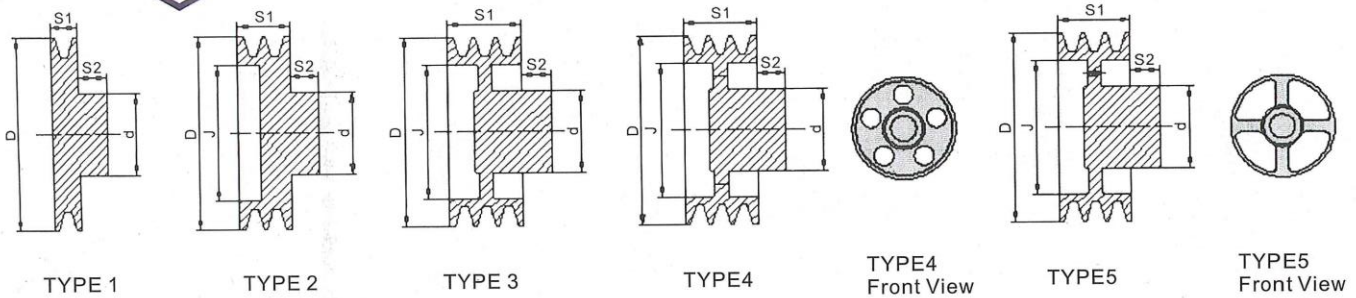
美規皮帶輪	g	B	t	e	f	P	a°
3V	0.35	0.025	0.35	0.407	0.344	< 3.5	34° ± 0.5°
						3.5~6	38° ± 0.5°
						6.01~12	40° ± 0.5°
						> 12	42° ± 0.5°
5V	0.6	0.05	0.6	0.688	0.5	< 10.1	38° ± 0.5°
						10.1~16	40° ± 0.5°
						< 16	42° ± 0.5°
8V	1	0.1	1	1.125	0.75	< 16	38° ± 0.5°
						16~22.4	40° ± 0.5°
						< 22.4	42° ± 0.5°

(mm)

歐規皮帶輪	g	wp	b	t	e	f	P	a°
SPZ	9.7 ^{+0.1} ₋₀	8.5	2	11 ^{+0.6} ₋₀	12±0.2	8±0.3	≤80	34° ± 0.5°
							> 80	38° ± 0.5°
SPA	12.7 ^{+0.1} ₋₀	11	2.75	13.8 ^{+0.6} ₋₀	15±0.2	10±0.3	≤118	34° ± 0.5°
							> 118	38° ± 0.5°
SPB	16.3 ^{+0.1} ₋₀	14	3.5	17.5 ^{+0.6} ₋₀	19±0.2	12.5±0.3	≤190	34° ± 0.5°
							> 190	38° ± 0.5°
SPC	22 ^{+0.1} ₋₀	19	4.8	23.8 ^{+0.6} ₋₀	25.5±0.2	17±0.3	≤315	34° ± 0.5°
							> 315	38° ± 0.5°



Simple Cast Iron Pulley 直孔式皮帶輪

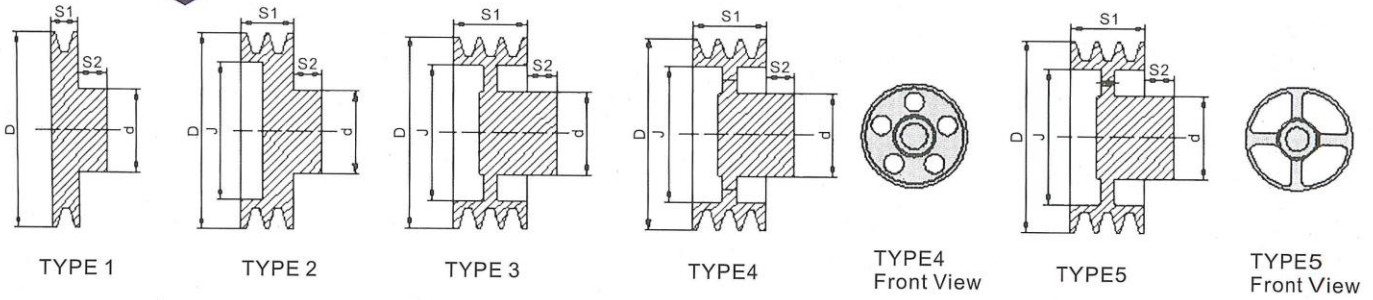


單位：mm

規格:(外徑) Specification: Outer Diameter	A型1槽 A Type 1 Groove						規格:(外徑) Specification: Outer Diameter	A型2槽 A Type 2 Groove					
	TYPE	D	d	J	S1	S2		TYPE	D	d	J	S1	S2
2"	1	50.8	39	/	20	20	2"	1	50.8	40	/	35	18
2 1/2"	1	63.5	45	/	20	20	2 1/2"	1	63.5	50	/	35	18
3"	1	76.2	50	/	20	20	3"	1	76.2	54	/	35	20
3 1/2"	1	88.9	50	/	20	20	3 1/2"	2	88.9	60	54.9	35	20
4"	2	101.6	50	67.6	20	20	4"	2	101.6	63	67.6	35	20
4 1/2"	2	114.3	60	80.3	20	20	4 1/2"	2	114.3	63	80.3	35	20
5"	2	127	60	93	20	20	5"	2	127	63	93	35	20
5 1/2"	2	139.7	65	105.7	20	20	5 1/2"	2	139.7	68	105.7	35	20
6"	3	152.4	65	118.4	20	20	6"	3	152.4	68	118.4	35	20
6 1/2"	3	165.1	65	131.1	20	20	6 1/2"	3	165.1	68	131.1	35	20
7"	3	177.8	65	143.8	20	20	7"	3	177.8	68	143.8	35	20
8"	4	203.2	65	169.2	20	20	7 1/2"	3	190.5	55	156.5	35	12
9"	4	228.6	66	194.6	20	20	8"	3	203.2	73	169.2	35	20
10"	4	254	66	220	20	20	9"	4	228.6	73	194.6	35	20
11"	4	279.4	66	245.4	20	20	10"	4	254	84	220	35	20
12"	4	304.8	68	270.8	20	20	11"	4	279.4	84	243.4	35	20
13"	5	330.2	68	294.2	20	20	12"	4	304.8	84	268.8	35	20
14"	5	355.6	68	319.6	20	20	13"	5	330.2	84	294.2	35	20
15"	5	381	80	345	20	20	14"	5	355.6	84	319.6	35	20
16"	5	406.4	80	370.4	20	20	15"	5	381	84	345	35	20
18"	5	457.2	80	421.2	20	20	16"	5	406.4	84	370.4	35	20
20"	5	508	80	472	20	20	18"	5	457.2	95	421.2	35	20
22"	5	558.8	85	522.8	20	20	20"	5	508	95	472	35	20
24"	5	609.6	85	573.6	20	20	22"	5	558.8	95	522.8	35	20
26"	5	660.4	85	624.4	20	20	24"	5	609.6	95	573.6	35	20
28"	5	711.2	85	675.2	20	20	26"	5	660.4	95	624.4	35	20
30"	5	762	85	726	20	20	28"	5	711.2	95	675.2	35	20
							30"	5	762	95	726	35	20



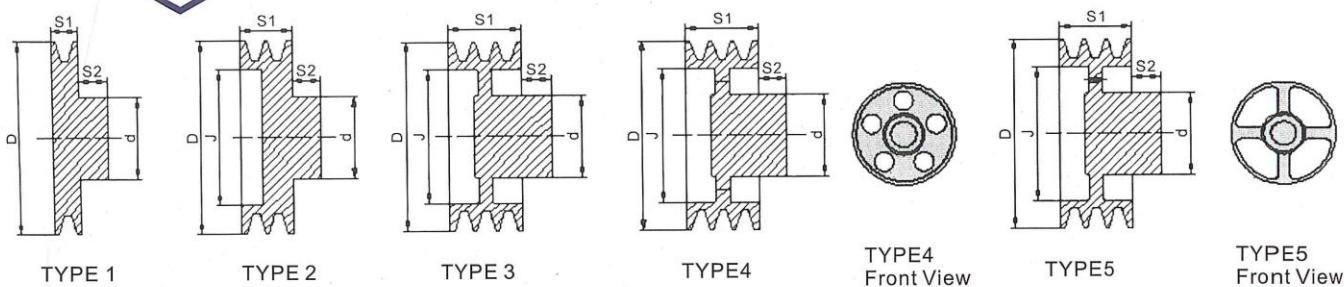
Simple Cast Iron Pulley 直孔式皮帶輪



單位 : mm

規格:(外徑) Specification: Outer Diameter	A型3槽 A Type 3 Groove						規格:(外徑) Specification: Outer Diameter	A型4槽 A Type 4 Groove					
	TYPE	D	d	J	S1	S2		TYPE	D	d	J	S1	S2
2"	1	50.8	50	/	52	20	2"						
2 1/2"	1	63.5	50	/	52	20	2 1/2"						
3"	2	76.2	60	42.2	52	20	3"	2	76.2	55	42.2	65	20
3 1/2"	2	88.9	60	54.9	52	20	3 1/2"	2	88.9	64	54.9	65	20
4"	2	101.6	70	67.6	52	20	4"	2	101.6	68	67.6	65	20
4 1/2"	2	114.3	74	80.3	52	20	4 1/2"	2	114.3	78	80.3	65	20
5"	2	127	78	93	52	20	5"	2	127	78	93	65	20
5 1/2"	2	139.7	78	105.7	52	20	5 1/2"	2	139.7	78	105.7	65	20
6"	3	152.4	78	118.4	52	20	6"	2	152.4	78	118.4	65	20
6 1/2"	3	165.1	78	131.1	52	20	6 1/2"	2	165.1	90	131.1	65	20
7"	3	177.8	78	143.8	52	20	7"	3	177.8	90	143.8	65	20
8"	3	203.2	80	169.2	52	20	8"	4	203.2	90	169.2	65	20
9"	4	228.6	83	194.6	52	20	9"	4	228.6	90	194.6	65	20
10"	4	254	90	220	52	20	10"	4	254	100	220	65	20
11"	4	279.4	90	243.4	52	20	11"	4	279.4	100	243.4	65	20
12"	4	304.8	90	268.8	52	20	12"	4	304.8	100	268.8	65	20
13"	5	330.2	95	294.2	52	20	13"	5	330.2	105	294.2	65	20
14"	5	355.6	95	319.6	52	20	14"	5	355.6	105	319.6	65	20
15"	5	381	95	345	50	20	15"	5	381	105	345	65	20
16"	5	406.4	100	370.4	52	20	16"	5	406.4	110	370.4	65	20
18"	5	457.2	100	421.2	52	20	18"	5	457.2	110	421.2	65	20
20"	5	508	100	472	52	20	20"	5	508	110	472	65	20
22"	5	558.8	105	522.8	52	20	22"	5	558.8	115	522.8	65	20
24"	5	609.6	105	573.6	52	20	24"	5	609.6	115	573.6	65	20
26"	5	660.4	105	624.4	52	20	26"	5	660.4	115	624.4	65	20
28"	5	711.2	110	675.2	52	20	28"	5	711.2	120	675.2	65	20
30"	5	762	110	726	52	20	30"	5	762	120	726	65	20

C-KING® Simple Cast Iron Pulley 直孔式皮帶輪

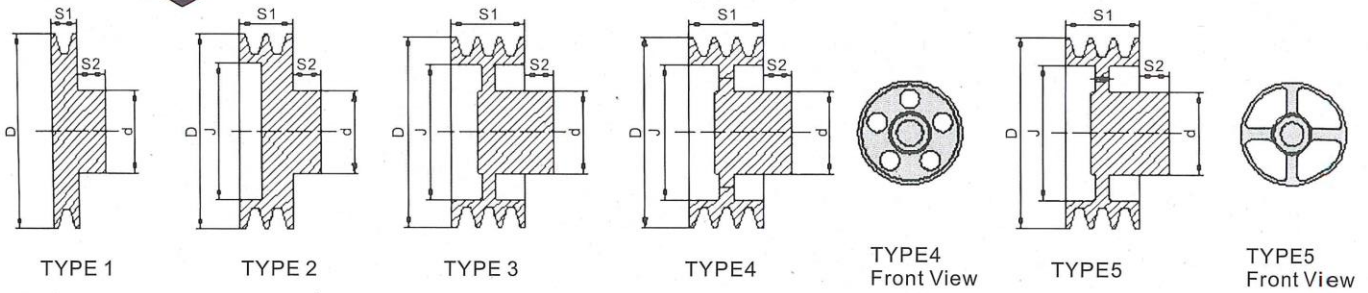


單位 : mm

規格:(外徑) Specification: Outer Diameter	B型1槽 B Type 1 Groove						規格:(外徑) Specification: Outer Diameter	B型2槽 B Type 2 Groove					
	TYPE	D	d	J	S1	S2		TYPE	D	d	J	S1	S2
2"	1	50.8	39	/	25	20	2"	1	50.8	40	/	44	20
2 1/2"	1	63.5	45	/	25	20	2 1/2"	1	63.5	50	/	44	20
3"	1	76.2	50	/	25	20	3"	1	76.2	56	/	44	20
3 1/2"	1	88.9	60	/	25	20	3 1/2"	2	88.9	60	48.9	44	20
4"	2	101.6	60	61.6	25	20	4"	2	101.6	63	61.6	44	20
4 1/2"	2	114.3	60	74.3	25	20	4 1/2"	2	114.3	63	74.3	44	20
5"	2	127	60	87	25	20	5"	2	127	68	87	44	20
5 1/2"	2	139.7	65	99.7	25	20	5 1/2"	2	139.7	68	99.7	44	20
6"	2	152.4	65	112.4	25	20	6"	2	152.4	73	112.4	44	20
6 1/2"	2	165.1	65	125.1	25	20	6 1/2"	2	165.1	73	125.1	44	20
7"	3	177.8	65	137.8	25	20	7"	3	177.8	73	137.8	44	20
8"	3	203.2	65	163.2	25	20	7 1/2"	4	190.5	73	150.5	44	20
9"	4	228.6	66	188.6	25	20	8"	3	203.2	74	163.2	44	20
10"	4	254	66	214	25	20	8 1/2"	4	215.9	74	175.9	44	20
11"	4	279.4	66	239.4	25	20	9"	4	228.6	74	188.6	44	20
12"	4	304.8	68	264.8	25	20	10"	4	254	84	214	44	20
13"	5	330.2	70	286.2	25	20	11"	4	279.4	84	239.4	44	20
14"	5	355.6	70	311.6	25	20	12"	4	304.8	84	258.8	44	20
15"	5	381	80	337	25	20	13"	5	330.2	84	284.2	44	20
16"	5	406.4	80	362.4	25	20	14"	5	355.6	84	309.6	44	20
18"	5	457.2	85	413.2	25	20	15"	5	381	84	335	44	20
20"	5	508	85	464	25	20	16"	5	406.4	90	360.4	44	20
22"	5	558.8	95	514.8	25	20	18"	5	457.2	95	411.2	44	20
24"	5	609.6	95	565.6	25	20	20"	5	508	100	462	44	20
26"	5	660.4	95	616.4	25	20	22"	5	558.8	100	512.8	44	20
28"	5	711.2	100	667.2	25	20	24"	5	609.6	100	563.6	44	20
30"	5	762	100	718	25	20	26"	5	660.4	100	614.4	44	20
							28"	5	711.2	105	665.2	44	20
							30"	5	762	105	716	44	20



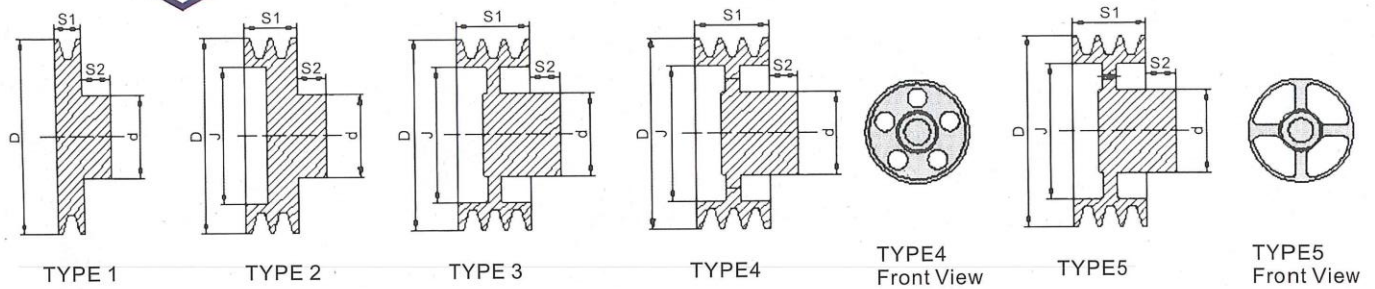
Simple Cast Iron Pulley 直孔式皮帶輪



單位：mm

規格:(外徑) Specification: Outer Diameter	B型3槽 B Type 3 Groove						規格:(外徑) Specification: Outer Diameter	B型4槽 B Type 4 Groove					
	TYPE	D	d	J	S1	S2		TYPE	D	d	J	S1	S2
2"					63	20	2"						
2 1/2"					63	20	2 1/2"						
3"	2	76.2	60	36.2	63	20	3"	2	76.2	60	36.2	82	20
3 1/2"	2	88.9	70	48.9	63	20	3 1/2"	2	88.9	70	48.9	82	20
4"	2	101.6	70	61.6	63	20	4"	2	101.6	70	61.6	82	20
4 1/2"	2	114.3	74	74.3	63	20	4 1/2"	2	114.3	82	74.3	82	20
5"	2	127	78	87	63	20	5"	2	127	82	87	82	20
5 1/2"	2	139.7	78	99.7	63	20	5 1/2"	2	139.7	88	99.7	82	20
6"	2	152.4	78	112.4	63	20	6"	2	152.4	88	112.4	82	20
6 1/2"	3	165.1	80	125.1	63	20	6 1/2"	2	165.1	90	125.1	82	20
7"	3	177.8	80	137.8	63	20	7"	3	177.8	90	137.8	82	20
7 1/2"	3	190.5	80	150.5	63	20	7 1/2"	3	190.5	90	150.5	82	20
8"	3	203.2	80	163.2	63	20	8"	3	203.2	90	159.2	82	20
8 1/2"	4	215.9	80	175.9	63	20	8 1/2"	4	215.9	95	171.9	82	20
9"	4	228.6	83	188.6	63	20	9"	4	228.6	90	184.6	82	20
10"	4	254	90	214	63	20	10"	4	254	100	210	82	20
11"	4	279.4	90	239.4	63	20	11"	4	279.4	100	235.4	82	20
12"	4	304.8	90	264.8	63	20	12"	4	304.8	100	260.8	82	20
13"	5	330.2	90	286.2	63	20	13"	5	330.2	100	286.2	82	20
14"	5	355.6	90	309.6	63	20	14"	5	355.6	100	309.6	82	20
15"	5	381	95	335	63	20	15"	5	381	110	335	82	20
16"	5	406.4	95	360.4	63	20	16"	5	406.4	115	360.4	82	20
18"	5	457.2	100	411.2	63	20	18"	5	457.2	115	411.2	82	20
20"	5	508	110	462	63	20	20"	5	508	115	462	82	20
22"	5	558.8	120	512.8	63	20	22"	5	558.8	130	512.8	82	20
24"	5	609.6	120	563.6	63	20	24"	5	609.6	130	563.6	82	20
26"	5	660.4	125	614.4	63	20	26"	5	660.4	135	614.4	82	20
28"	5	711.2	125	665.2	63	20	28"	5	711.2	135	665.2	82	20
30"	5	762	130	716	63	20	30"	5	762	135	716	82	20

C-KING® Simple Cast Iron Pulley 直孔式皮帶輪

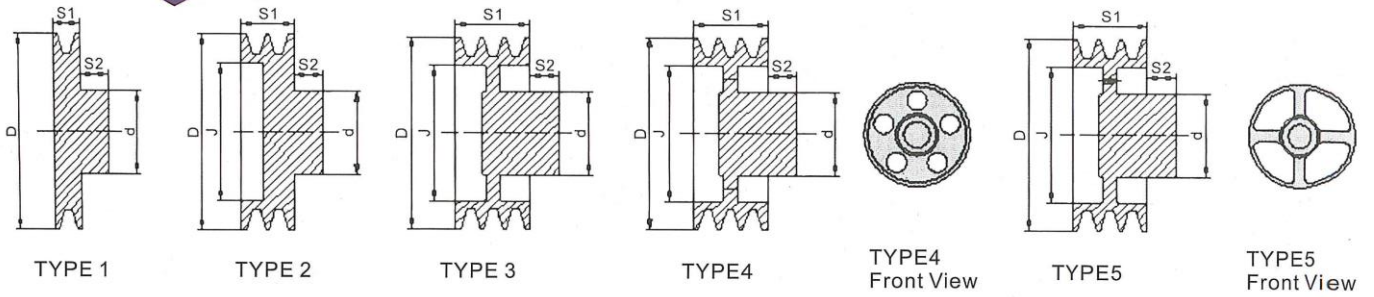


單位 : mm

規格:(外徑) Specification: Outer Diameter	B型5槽 B Type 5 Groove						規格:(外徑) Specification: Outer Diameter	B型6槽 B Type 6 Groove					
	TYPE	D	d	J	S1	S2		TYPE	D	d	J	S1	S2
2"							2"						
2 1/2"							2 1/2"						
3"	2	76.2	60	36.2	101	20	3"						
3 1/2"	2	88.9	70	48.9	101	20	3 1/2"	2	88.9	70	48.9	120	20
4"	2	101.6	75	61.6	101	20	4"	2	101.6	80	61.6	120	20
4 1/2"	2	114.3	85	74.3	101	20	4 1/2"	2	114.3	90	74.3	120	20
5"	2	127	85	87	101	20	5"	2	127	90	87	120	20
5 1/2"	2	139.7	95	99.7	101	20	5 1/2"	2	139.7	100	99.7	120	20
6"	2	152.4	95	112.4	101	20	6"	2	152.4	100	112.4	120	20
6 1/2"	2	165.1	95	125.1	101	20	6 1/2"	2	165.1	110	125.1	120	20
7"	2	177.8	95	137.8	101	20	7"	2	177.8	110	137.8	120	20
8"	3	203.2	95	163.2	101	20	8"	2	203.2	110	159.2	120	20
9"	4	228.6	105	184.6	101	20	9"	3	228.6	110	184.6	120	20
10"	4	254	105	210	101	20	10"	4	254	110	210	120	20
11"	4	279.4	110	235.4	101	20	11"	4	279.4	120	235.4	120	20
12"	4	304.8	110	260.8	101	20	12"	4	304.8	120	260.8	120	20
13"	5	330.2	110	286.2	101	20	13"	5	330.2	120	286.2	120	20
14"	5	355.6	110	309.6	101	20	14"	5	355.6	120	309.6	120	20
15"	5	381	115	335	101	20	15"	5	381	125	335	120	20
16"	5	406.4	115	360.4	101	20	16"	5	406.4	125	360.4	120	20
18"	5	457.2	120	411.2	101	20	18"	5	457.2	130	411.2	120	20
20"	5	508	120	462	101	20	20"	5	508	130	462	120	20
22"	5	558.8	135	512.8	101	20	22"	5	558.8	135	512.8	120	20
24"	5	609.6	135	563.6	101	20	24"	5	609.6	135	563.6	120	20
26"	5	660.4	140	614.4	101	20	26"	5	660.4	145	614.4	120	20
28"	5	711.2	140	665.2	101	20	28"	5	711.2	145	665.2	120	20
30"	5	762	140	716	101	20	30"	5	762	145	716	120	20



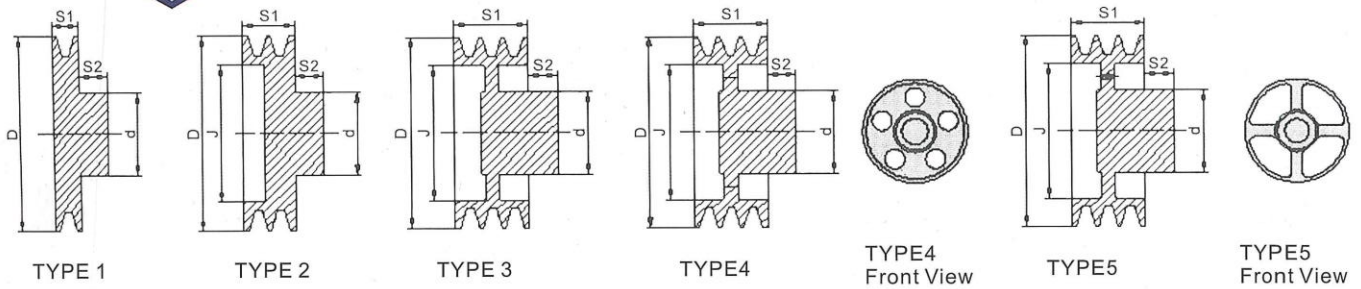
Simple Cast Iron Pulley 直孔式皮帶輪



單位 : mm

規格:(外徑) Specification: Outer Diameter	C型2槽 C Type 2 Groove					
	TYPE	D	d	J	S1	S2
2"						
2 1/2"						
3"						
3 1/2 "						
4"	2	101.6	75	41.6	59.5	20
4 1/2 "	2	114.3	80	54.3	59.5	20
5"	2	127	85	67	59.5	20
5 1/2 "	2	139.7	85	79.7	59.5	20
6"	2	152.4	90	92.4	59.5	20
6 1/2 "	2	165.1	90	105.1	59.5	20
7"	2	177.8	90	117.8	59.5	20
8"	3	203.2	90	143.2	59.5	20
9"	3	228.6	90	168.6	59.5	20
10"	4	254	95	194	59.5	20
11"	4	279.4	95	219.4	59.5	20
12"	4	304.8	100	244.8	59.5	20
13"	5	330.2	105	270.2	59.5	20
14"	5	355.6	105	295.6	59.5	20
15"	5	381	105	321	59.5	20
16"	5	406.4	105	346.4	59.5	20
18"	5	457.2	105	397.2	59.5	20
20"	5	508	115	448	59.5	20
22"	5	558.8	115	498.8	59.5	20
24"	5	609.6	115	549.6	59.5	20
26"	5	660.4	125	600.4	59.5	20
28"	5	711.2	125	651.2	59.5	20
30"	5	762	125	702	59.5	20

C-KING® Simple Cast Iron Pulley 直孔式皮帶輪

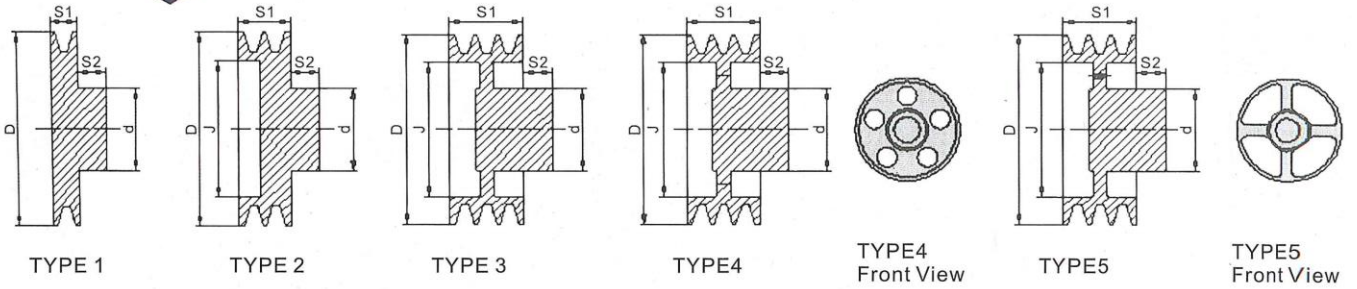


單位 : mm

規格:(外徑) Specification: Outer Diameter	C型3槽 C Type 3 Groove						規格:(外徑) Specification: Outer Diameter	C型4槽 C Type 4 Groove					
	TYPE	D	d	J	S1	S2		TYPE	D	d	J	S1	S2
2"							2"						
2 1/2"							2 1/2"						
3"	2	76.2	80	16.2	85	20	3"	2	76.2	80	16.2	110.5	20
3 1/2"	2	88.9	80	28.9	85	20	3 1/2"	2	88.9	80	28.9	110.5	20
4"	2	101.6	85	41.6	85	20	4"	2	101.6	85	41.6	110.5	20
4 1/2"	2	114.3	90	54.3	85	20	4 1/2"	2	114.3	95	54.3	110.5	20
5"	2	127	90	67	85	20	5"	2	127	95	67	110.5	20
5 1/2"	2	139.7	95	79.7	85	20	5 1/2"	2	139.7	95	79.7	110.5	20
6"	2	152.4	95	92.4	85	20	6"	2	152.4	95	92.4	110.5	20
6 1/2"	2	165.1	95	105.1	85	20	6 1/2"	2	165.1	95	105.1	110.5	20
7"	2	177.8	95	117.8	85	20	7"	2	177.8	105	117.8	110.5	20
8"	3	203.2	95	143.2	85	20	8"	3	203.2	95	147.2	110.5	20
9"	3	228.6	95	168.6	85	20	9"	3	228.6	110	172.6	110.5	20
10"	4	254	100	194	85	20	10"	3	254	110	194	110.5	20
11"	4	279.4	100	219.4	85	20	11"	4	279.4	110	219.4	110.5	20
12"	4	304.8	105	244.8	85	20	12"	4	304.8	110	244.8	110.5	20
13"	5	330.2	110	270.2	85	20	13"	5	330.2	115	270.2	110.5	20
14"	5	355.6	110	295.6	85	20	14"	5	355.6	115	295.6	110.5	20
15"	5	381	110	321	85	20	15"	5	381	120	321	110.5	20
16"	5	406.4	110	346.4	85	20	16"	5	406.4	120	346.4	110.5	20
18"	5	457.2	110	397.2	85	20	18"	5	457.2	130	397.2	110.5	20
20"	5	508	120	448	85	20	20"	5	508	130	448	110.5	20
22"	5	558.8	120	498.8	85	20	22"	5	558.8	135	498.8	110.5	20
24"	5	609.6	120	549.6	85	20	24"	5	609.6	140	549.6	110.5	20
26"	5	660.4	130	600.4	85	20	26"	5	660.4	140	600.4	110.5	20
28"	5	711.2	130	651.2	85	20	28"	5	711.2	145	651.2	110.5	20
30"	5	762	130	702	85	20	30"	5	762	145	702	110.5	20



Simple Cast Iron Pulley 直孔式皮帶輪



單位 : mm

規格:(外徑) Specification: Outer Diameter	C型5槽 C Type 5 Groove						規格:(外徑) Specification: Outer Diameter	C型6槽 C Type 6 Groove					
	TYPE	D	d	J	S1	S2		TYPE	D	d	J	S1	S2
2"							2"						
2 1/2"							2 1/2"						
3"							3"						
3 1/2 "	2	88.9	85	28.9	136	20	3 1/2 "						
4"	2	101.6	85	41.6	136	20	4"	2	101.6	90	41.6	161.5	20
4 1/2 "	2	114.3	90	54.3	136	20	4 1/2 "	2	114.3	95	54.3	161.5	20
5"	2	127	100	67	136	20	5"	2	127	100	67	161.5	20
5 1/2 "	2	139.7	100	79.7	136	20	5 1/2 "	2	139.7	100	79.7	161.5	20
6"	2	152.4	100	92.4	136	20	6"	2	152.4	110	92.4	161.5	20
6 1/2 "	2	165.1	100	105.1	136	20	6 1/2 "	2	165.1	110	105.1	161.5	20
7"	2	177.8	115	117.8	136	20	7"	2	177.8	120	117.8	161.5	20
8"	2	203.2	115	143.2	136	20	8"	2	203.2	120	143.2	161.5	20
9"	2	228.6	115	168.6	136	20	9"	2	228.6	120	168.6	161.5	20
10"	3	254	115	194	136	20	10"	3	254	120	194	161.5	20
11"	4	279.4	115	219.4	136	20	11"	4	279.4	120	219.4	161.5	20
12"	4	304.8	115	244.8	136	20	12"	4	304.8	120	244.8	161.5	20
13"	5	330.2	120	270.2	136	20	13"	5	330.2	125	270.2	161.5	20
14"	5	355.6	120	295.6	136	20	14"	5	355.6	125	295.6	161.5	20
15"	5	381	125	321	136	20	15"	5	381	130	321	161.5	20
16"	5	406.4	125	346.4	136	20	16"	5	406.4	135	346.4	161.5	20
18"	5	457.2	135	397.2	136	20	18"	5	457.2	135	397.2	161.5	20
20"	5	508	135	448	136	20	20"	5	508	135	448	161.5	20
22"	5	558.8	140	498.8	136	20	22"	5	558.8	145	498.8	161.5	20
24"	5	609.6	145	549.6	136	20	24"	5	609.6	150	549.6	161.5	20
26"	5	660.4	145	600.4	136	20	26"	5	660.4	150	600.4	161.5	20
28"	5	711.2	150	651.2	136	20	28"	5	711.2	160	651.2	161.5	20
30"	5	762	150	702	136	20	30"	5	762	160	702	161.5	20